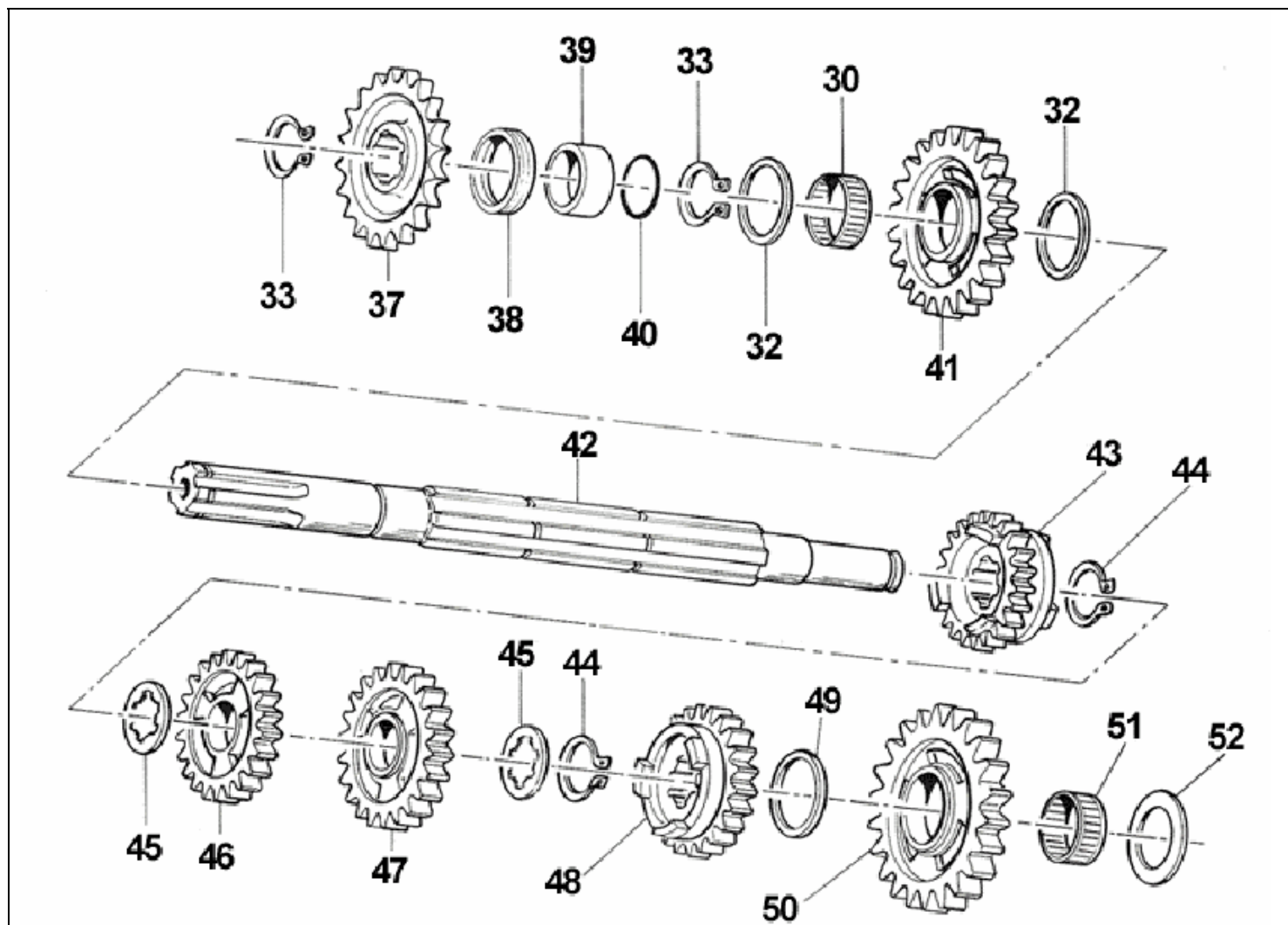


# TRANSMISSION 2



Nr	Désignation	Code
30	Needle cage 20 x 24 x 10	FB 142 2 0930 1
32	Washer 27 x 20 x 0.7	FB 142 2 0932 1
33	Snap ring 20mm	FB 142 2 0933 1
37	Sprocket, drive 15T	FB 142 2 1037 1
	Sprocket, drive 16T	FB 142 2 1037 2
	Sprocket, drive 17T	FB 142 2 1037 3
	Sprocket, drive 18T	FB 142 2 1037 4
	Sprocket, drive 19T	FB 142 2 1037 5
	Sprocket, drive 20T	FB 142 2 1037 6
	Sprocket, drive 21T	FB 142 2 1037 7
38	Oil seal 26 x 37 x 7	FB 142 2 1038 1
39	Collar	FB 142 2 1039 1
40	O-Ring	FB 142 2 1040 1

Nr	Désignation	Code
41	Gear 2 <sup>nd</sup> Countershaft 29T, yellow	FB 142 2 1041 1
42	Countershaft	FB 142 2 1042 1
43	Gear, 6th Countershaft 25T	FB 142 2 1043 1
44	Snap ring 22mm	FB 142 2 1044 1
45	Washer 27 x 22 x 0.75	FB 142 2 1045 1
46	Gear, 4th Countershaft 27T	FB 142 2 1046 1
47	Gear, 3rd Countershaft 27T Green	FB 142 2 1047 1
48	Gear, 5th Countershaft 23T, yellow	FB 142 2 1048 1
49	Washer 26 x 17 x 0.5	FB 142 2 1049 1
50	Gear, 1st Countershaft 33T, white	FB 142 2 1050 1
51	Needle cage 17 x 21 x 10	FB 142 2 1051 1
52	Washer 28 x 15 x 0.5	FB 142 2 1052 1