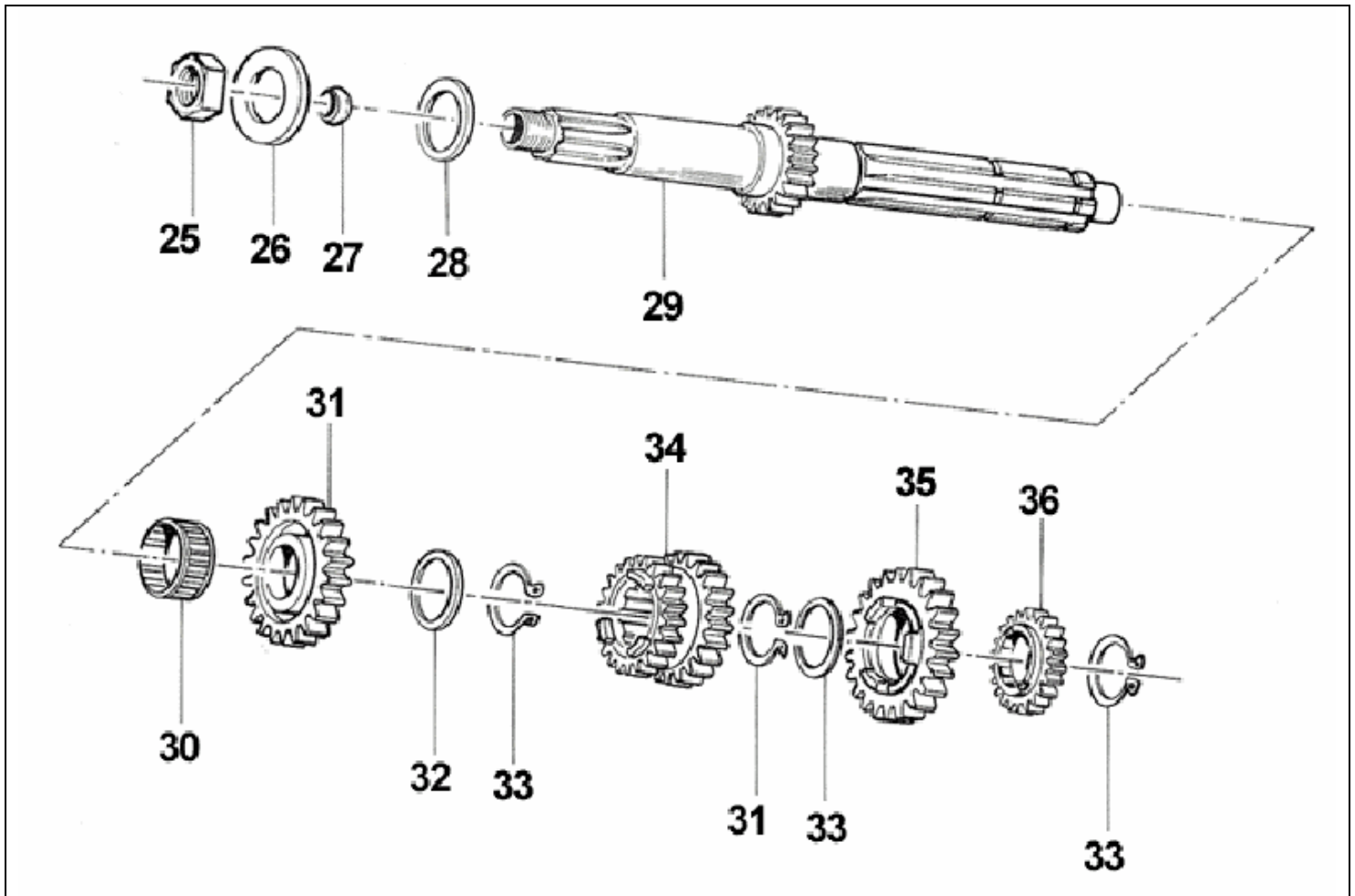


TRANSMISSION 1



Nr	Description	Code
25	Nut	FB 142 2 0925 1
26	Spacer	FB 142 2 0926 1
27	Oil seal 5 x 9 x 2	FB 142 2 0927 1
28	Spacer 30 x 20 x 2	FB 142 2 0928 1
29	Mainshaft Z 13	FB 142 2 0929 1
30	Needle cage 20 x 24 x 10	FB 142 2 0930 1

Nr	Description	Code
31	Gear, 5th Mainshaft 22T	FB 142 2 0931 1
32	Washer 27 x 20 x 0.7	FB 142 2 0932 1
33	Snap ring Ø 20mm	FB 142 2 0933 1
34	Gear, $\frac{3}{4}$ Mainshaft 18/22T	FB 142 2 0934 1
35	Gear, 6th Mainshaft 27T	FB 142 2 0935 1
36	Gear, 2 nd Mainshaft 16T	FB 142 2 0936 1