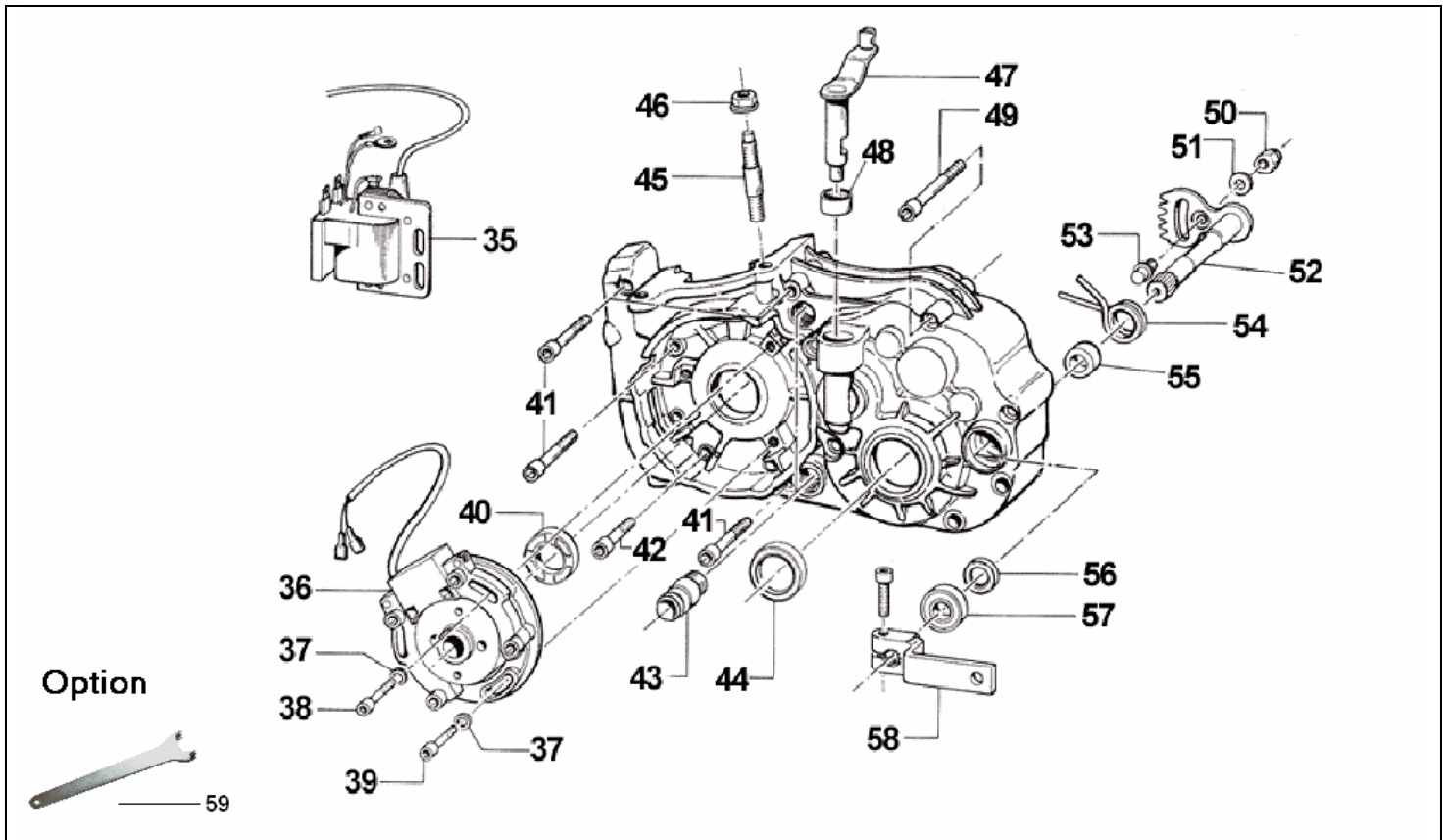


IGNITION



Nr	Description	Code
35	Coil, PVL	FB 142 2 0735 1
36	Ignition, PVL	FB 142 2 0736 1
37	Washer	FB 142 2 0737 1
38	Screw M5 x 40	FB 142 2 0738 1
39	Screw M5 x 30	FB 142 2 0739 1
40	Oil seal 20 x 35 x 7	FB 142 2 0740 1
41	Screw M6 x 55	FB 142 2 0741 1
42	Screw M6 x 45	FB 142 2 0742 1
43	Water joint	FB 142 2 0743 1
44	Oil seal 26 x 37 x 7	FB 142 2 0744 1
45	Stud	FB 142 2 0745 1
46	Nut, flange M 8	FB 142 2 0746 1
47	Clutch control lever	FB 142 2 0747 1

Nr	Description	Code
48	Needle cage DHK 14/14 RS	FB 142 2 0748 1
49	Screw M6 x 80	FB 142 2 0749 1
50	Nut M 6	FB 142 2 0750 1
51	Washer 6 x 12	FB 142 2 0751 1
52	Shaft, gearshift	FB 142 2 0752 1
53	Pin	FB 142 2 0753 1
54	Spring	FB 142 2 0754 1
55	Spacer	FB 142 2 0755 1
56	Oil seal 12 x 22 x 5	FB 142 2 0756 1
57	Bearing 6001 2RS	FB 142 2 0757 1
58	Gear lever	FB 142 2 0758 1
OPTION		
59	Pin spanner	FB 142 2 0759 1