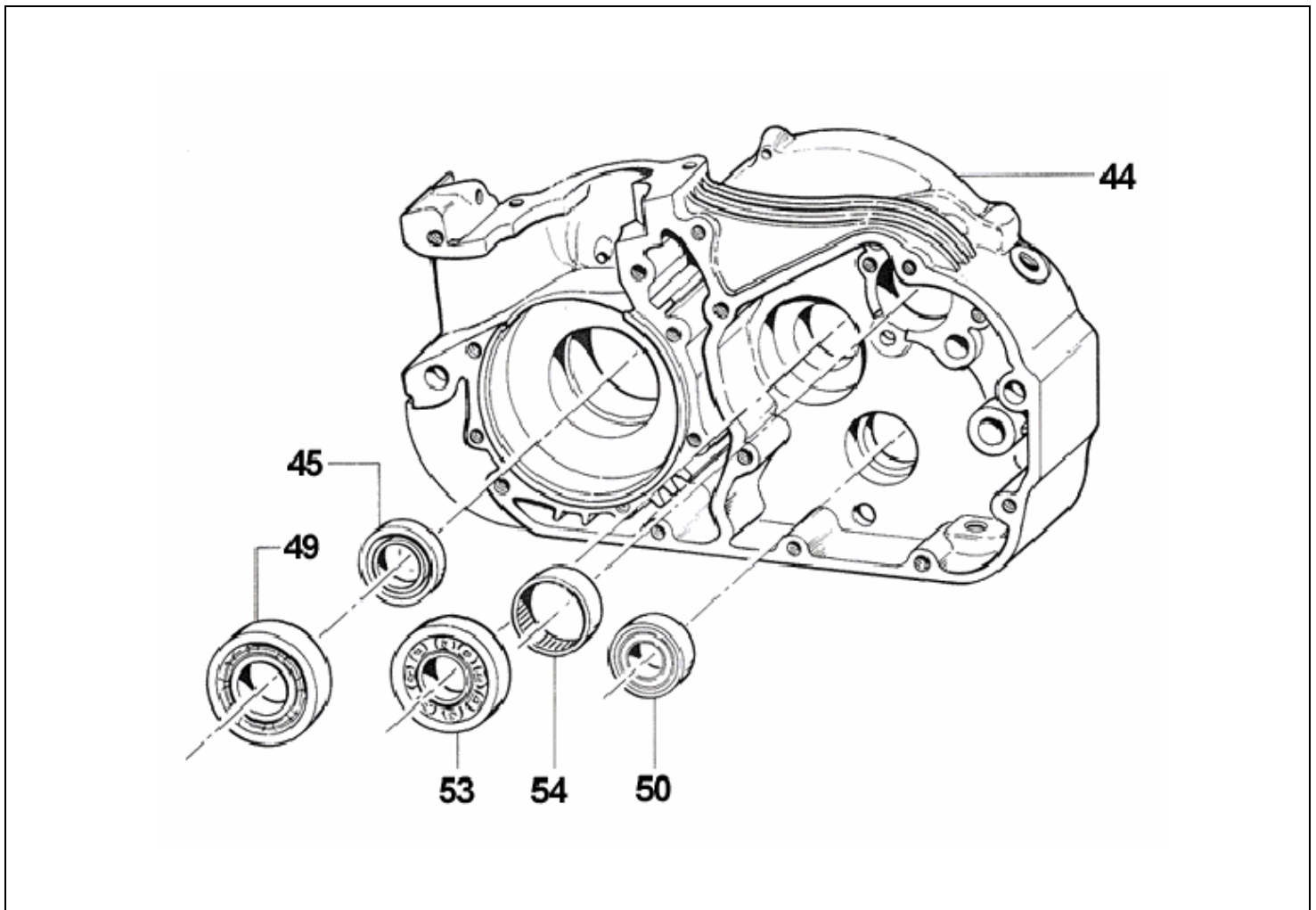


CRANKCASE ENGINE RIGHT



Nr	Description	Code
44	Crankcase right	FB 142 2 0444 1
45	Oil seal 20 x 35 x 7	FB 142 2 0445 1
49	Bearing 6205 C	FB 142 2 0449 1

Nr	Description	Code
50	Bearing 6202 Z C3	FB 142 2 0450 1
53	Bearing 6205 C3	FB 142 2 0553 1
54	Needle cage DHK 35/12	FB 142 2 0554 1