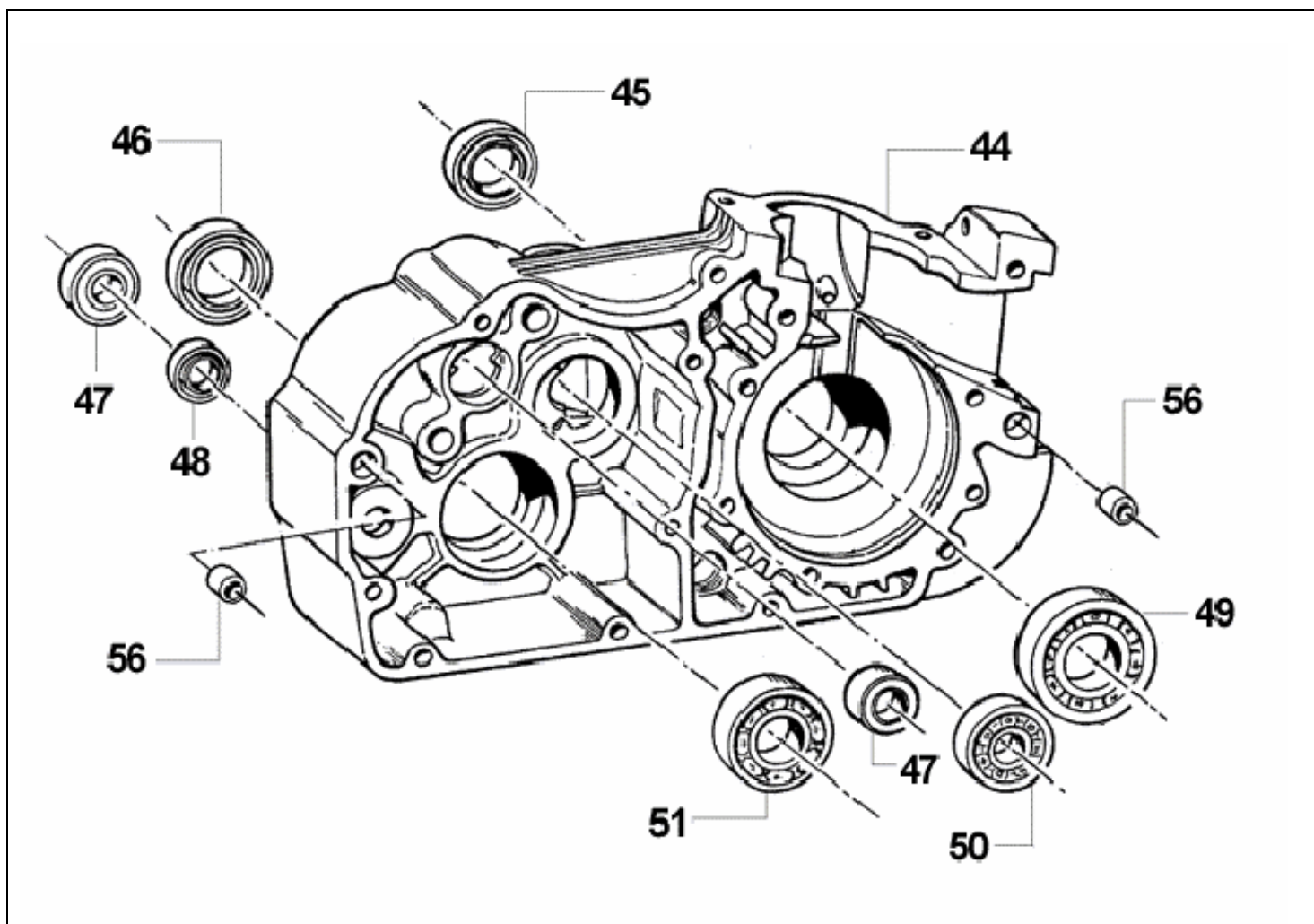


CRANKCASE ENGINE LEFT



Nr	Description	Code
44	Crankcase left	FB 142 2 0444 1
45	Oil seal 20 x 35 x 7	FB 142 2 0445 1
46	Oil seal 26 x 37 x 7	FB 142 2 0446 1
47	Bearing 6001 2 RS	FB 142 2 0447 1
48	Oil seal 12 x 22 x 5	FB 142 2 0448 1

Nr	Description	Code
49	Bearing 6205 C4	FB 142 2 0449 1
50	Bearing 6202 Z C3	FB 142 2 0450 1
51	Bearing 6204 C3	FB 142 2 0451 1
52	Screw M8 x 14	FB 142 2 0452 1
56	Dowel pin	FB 142 2 0456 1