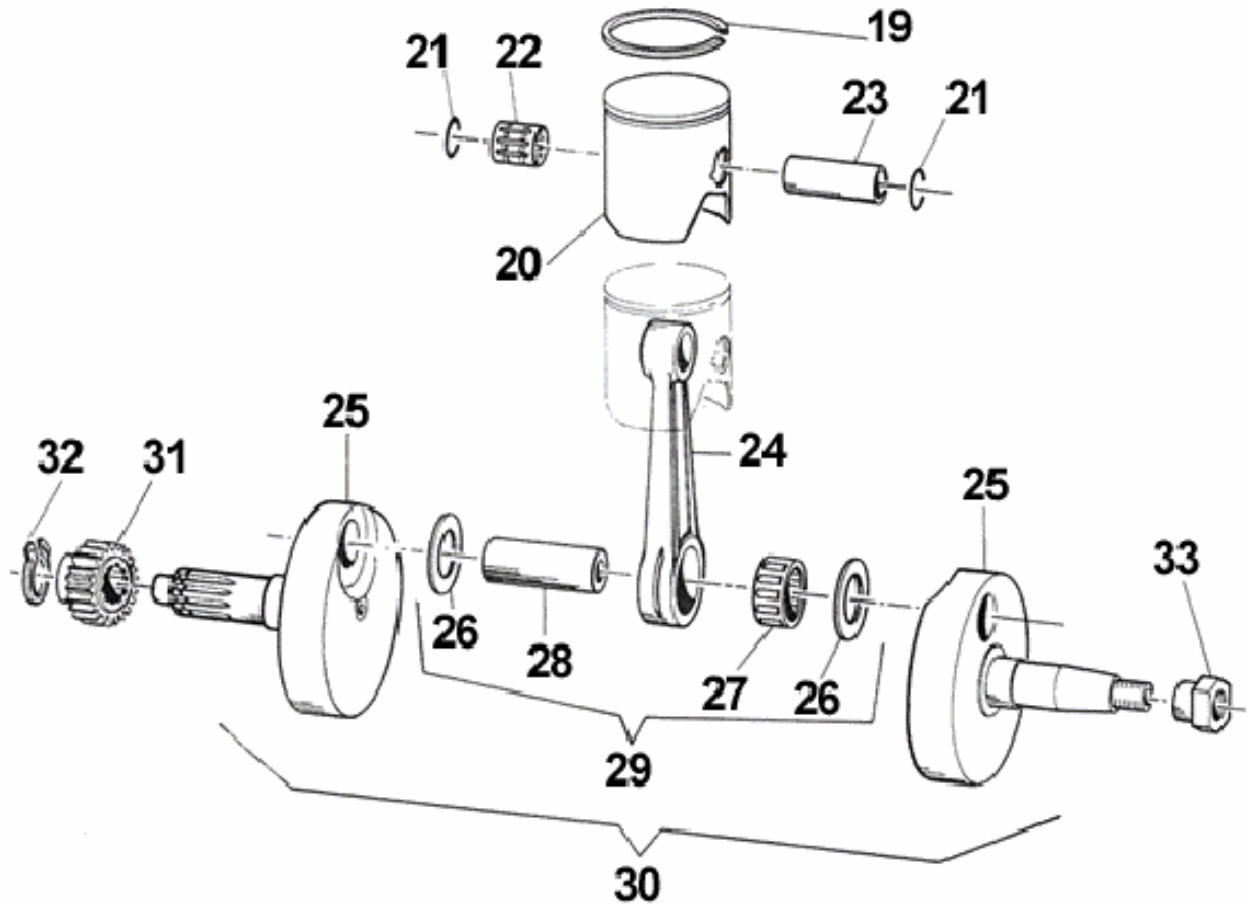


CRANKSHAFT



Nr	Description	Code
19	Piston ring Ø 54mm	FB 142 2 0219 1
20	Piston 53.93mm Comp.	FB 142 2 0220 1
	Piston 53.94mm Comp.	FB 142 2 0220 2
	Piston 53.95mm Comp.	FB 142 2 0220 3
	Piston 53.96mm Comp.	FB 142 2 0220 4
	Piston 53.97mm Comp.	FB 142 2 0220 5
	Piston 53.98mm Comp.	FB 142 2 0220 6
21	Clip, piston pin	FB 142 2 0221 1
22	Top end bearing	FB 142 2 0222 1
23	Pin, piston	FB 142 2 0223 1
24	Connecting Rod Ø 20	FB 142 2 0224 1

Nr	Description	Code
25	Crank	FB 142 2 0225 1
26	Washer	FB 142 2 0226 1
27	Silver bearing	FB 142 2 0227 1
28	Pin, connecting rod (hole 6mm) Ø20x50.4	FB 142 2 0228 1
	Pin, connecting rod (hole 8mm) Ø20x50.4	FB 142 2 0228 2
29	Con Rod Kit Ø 20 (hole 6mm)	FB 142 2 0229 1
	Con Rod Kit Ø 20 (hole 8mm)	FB 142 2 0229 2
30	Crank Shaft assy	FB 142 2 0230 1
31	Gear, primary drive Z 19	FB 142 2 0231 1
32	Snap ring	FB 142 2 0232 1
33	Nut, ignition	FB 142 2 0233 1