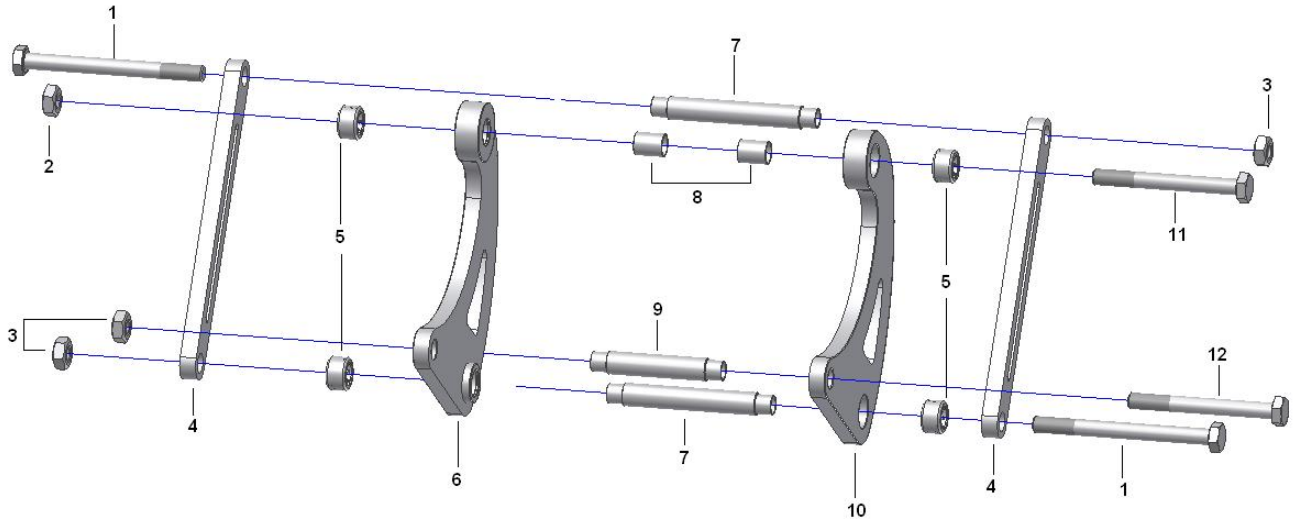





Nr	Description	No of items required	Code	Photo
1	Hexagon socket head cap screw M10x120mm DIN912 BN4	2	FB 142 1 1201 1	
2	Hexagon flange nut with serration M12 DIN6926 BN6783	1	FB 142 1 1202 1	
3	Hexagon flange nut with serration M10 DIN6926 BN6783	3	FB 142 1 1203 1	
4	Plate, cushion arm	2	FB 142 1 1204 1	
5	Bearing DIN 618 HK 1412	4	FB 142 1 0313 1	
6	Holder, step left	1	FB 142 1 1206 1	
7	Tube, cushion arm Ø14x102mm	2	FB 142 1 1207 1	



Nr	Description	No of items required	Code	Photo
8	Collar Ø14x17,6mm	2	FB 142 1 1208 1	
9	Tube, cushion arm Ø14x81mm	1	FB 142 1 1209 1	
10	Holder, step right	1	FB 142 1 1210 1	
11	Hexagon socket head cap screw M12x100mm DIN912 BN4	1	FB 142 1 1211 1	
12	Hexagon socket head cap screw M10x100mm DIN912 BN4	1	FB 142 1 1212 1	