



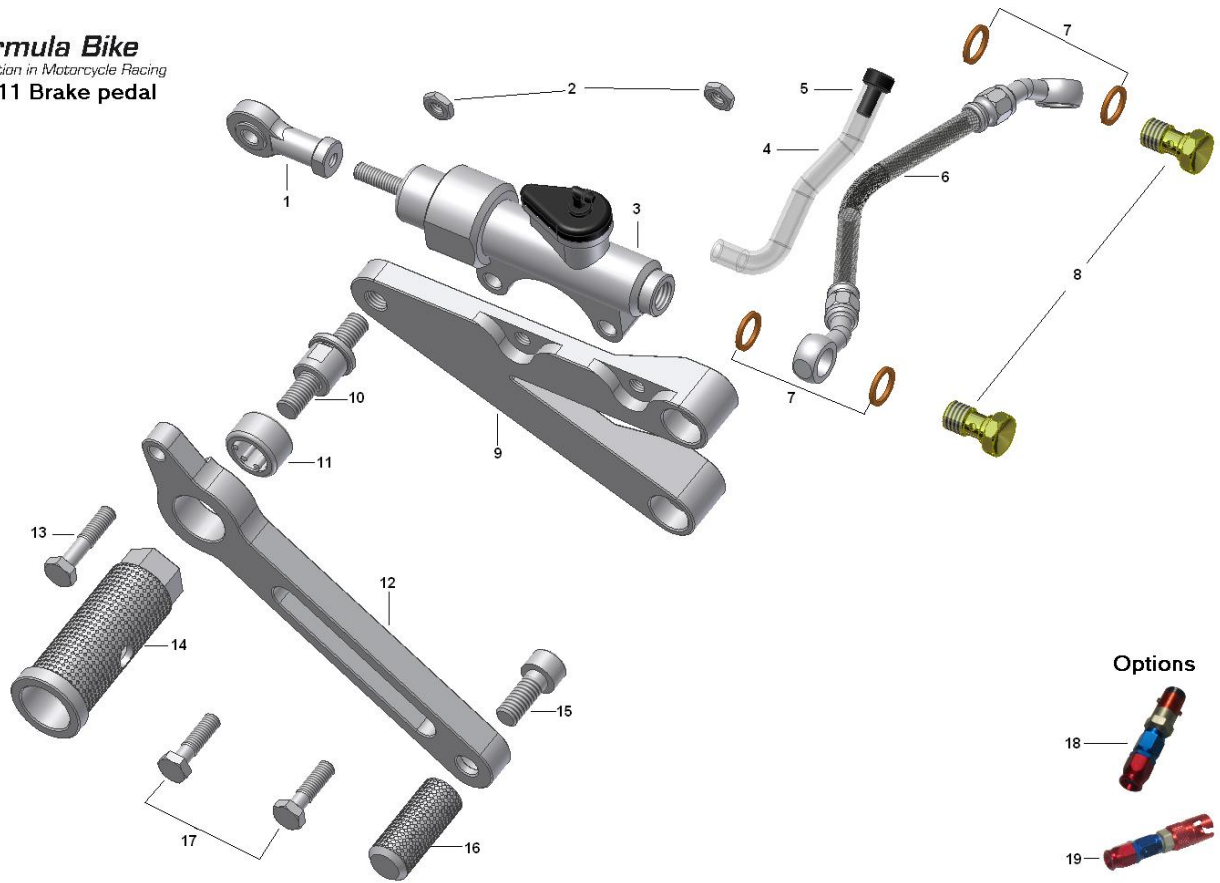




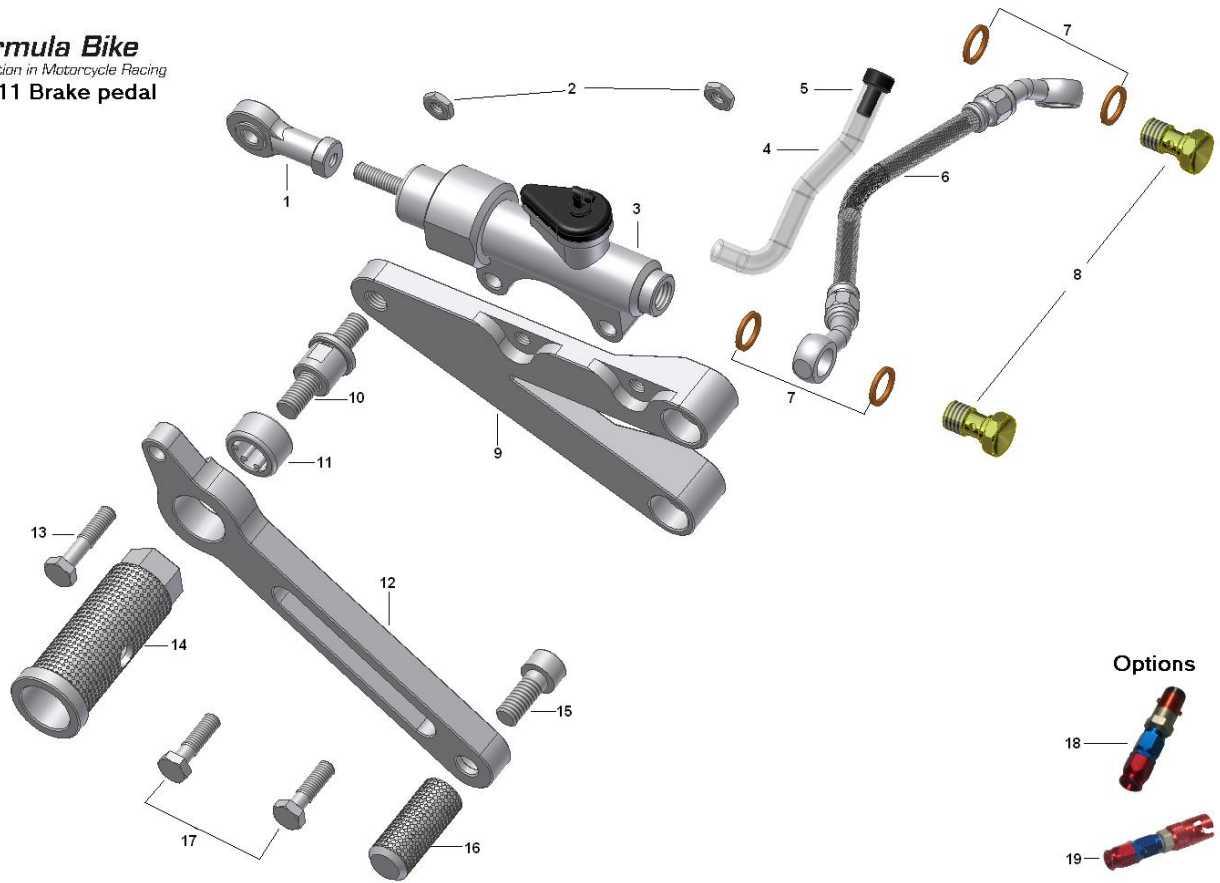





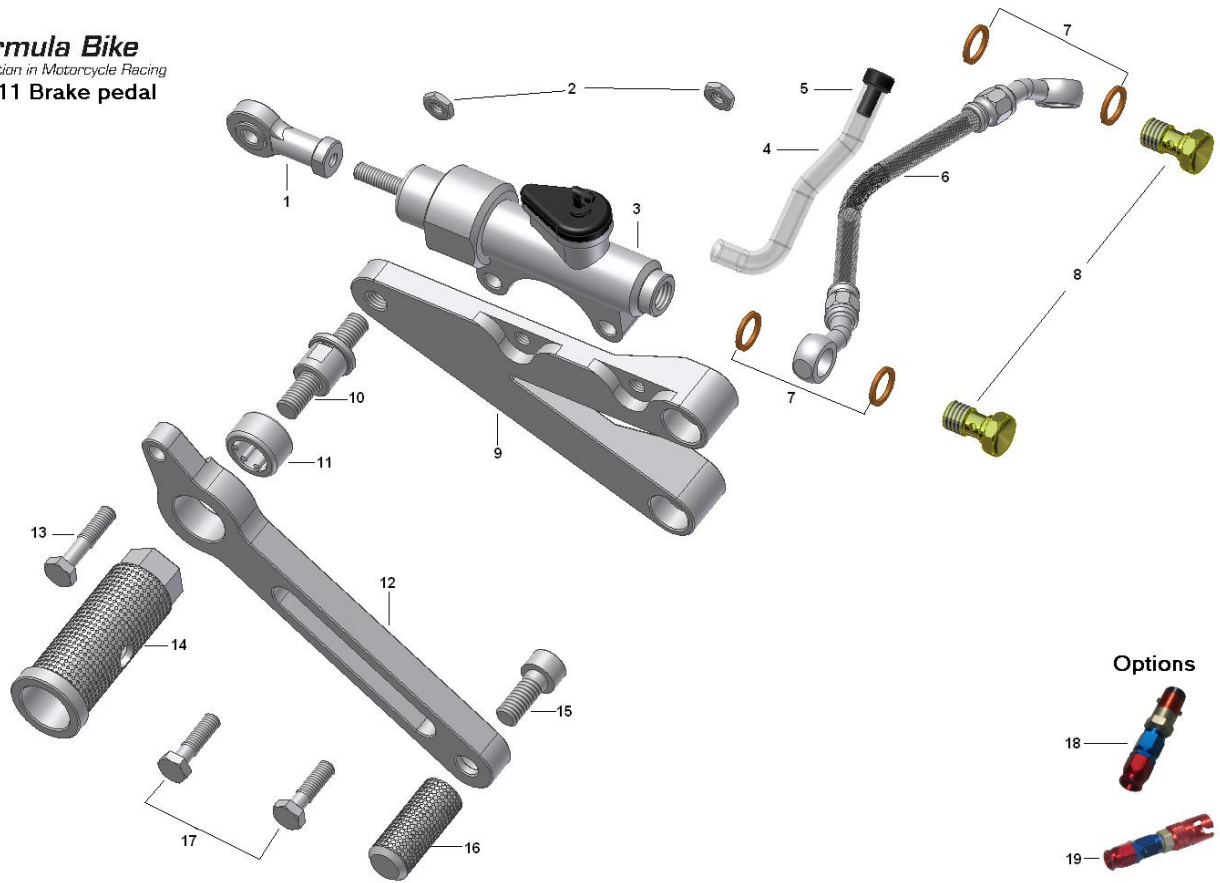
Nr	Description	No of items required	Code	Photo
1	Rod end M8	1	FB 142 1 1101 1	
2	Hexagon flange nut with serration M6 DIN6926 BN6783	2	FB 142 1 1003 1	
3	Rear master cylinder	1	FB 142 1 1103 1	
4	V-tube for brake liquid	1	FB 142 1 1104 1	
5	Plug for V-tube	1	FB 142 1 1105 1	





Nr	Description	No of items required	Code	Photo
6	Hose, rear brake	1	FB 142 1 1106 1	
7	Washer plug drain 13,8x10,3x1,3mm	4	FB 142 1 0215 1	
8	Oil bolt M10x1mm	2	FB 142 1 0216 1	
9	Holder, step right	1	FB 142 1 1009 1	
10	Boss, pedal, pivot	1	FB 142 1 1110 1	



Nr	Description	No of items required	Code	Photo
11	Bearing DIN 618 HK 1412	1	FB 142 1 0313 1	
12	Brake pedal	1	FB 142 1 1112 1	
13	Hexagon socket head cap screw M6x16mm DIN912 BN3	1	FB 142 1 1113 1	
14	Arm, step	1	FB 142 1 1114 1	
15	Hexagon socket head cap screw M8x16mm DIN912 BN3	1	FB 142 1 0810 1	



Nr	Description	No of items required	Code	Photo
16	Arm, pedal	1	FB 142 1 1116 1	
17	Pozidrive cross recessed hexagon socket button head screw M6x20mm DIN7985A BN384	2	FB 142 1 1117 1	
OPTIONS				
18	Brake connector M	1	FB 142 1 0222 1	
19	Brake connector F	1	FB 142 1 0223 1	