

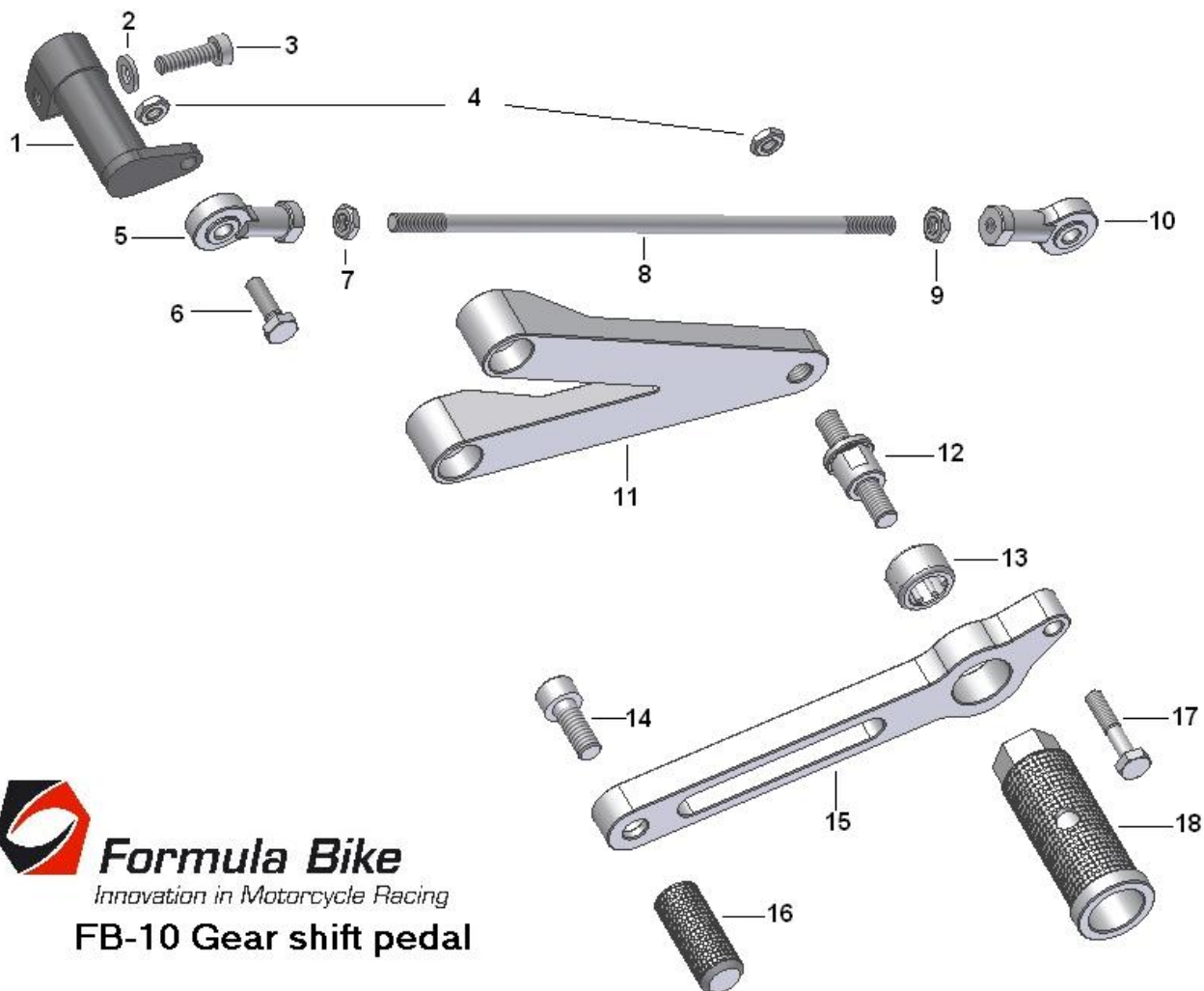


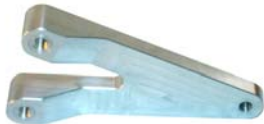

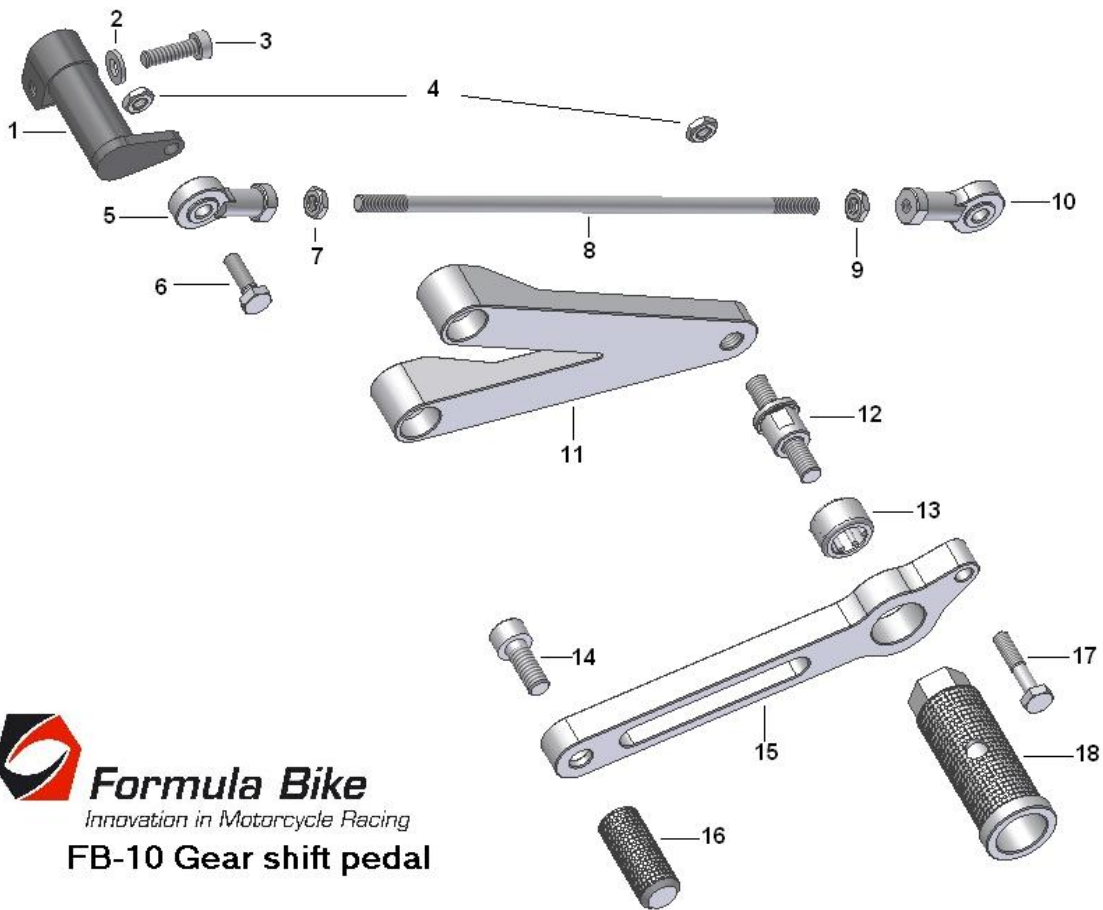





Nr	Description	No of items required	Code	Photo
1	Arm, gear change	1	FB 142 1 1001 1	
2	Washer M6 DIN127A BN760	1	FB 142 1 1002 1	
3	Hexagon socket head cap screw M6x25mm DIN912 BN3	1	FB 142 1 1003 1	
4	Hexagon flange nut with serration M6 DIN6926 BN6783	2	FB 142 1 1004 1	
5	Rod, end left M6	1	FB 142 1 1005 1	
6	Hexagon socket head cap screw with low head M6x16mm DIN7984 BN17	1	FB 142 1 1006 1	
7	Hexagon nut left M6 DIN934 BN117	1	FB 142 1 1007 1	



Nr	Description	No of items required	Code	Photo
8	Rod, change left + right	1	FB 142 1 1008 1	
9	Hexagon nut right M6 DIN934 BN117	1	FB 142 1 1009 1	
10	Rod, end right M6	1	FB 142 1 1010 1	
11	Holder, step left	1	FB 142 1 1011 1	
12	Boss, pedal, pivot	1	FB 142 1 1012 1	



Nr	Description	No of items required	Code	Photo
13	Bearing DIN 618 HK 1412	1	FB 142 1 0313 1	
14	Hexagon socket head cap screw M8x16mm DIN912 BN3	1	FB 142 1 1014 1	
15	Pedal, change	1	FB 142 1 1015 1	
16	Arm, pedal	1	FB 142 1 1016 1	
17	Hexagon socket head cap screw M6x16mm DIN912 BN3	1	FB 142 1 1017 1	
18	Arm	1	FB 142 1 1018 1	