



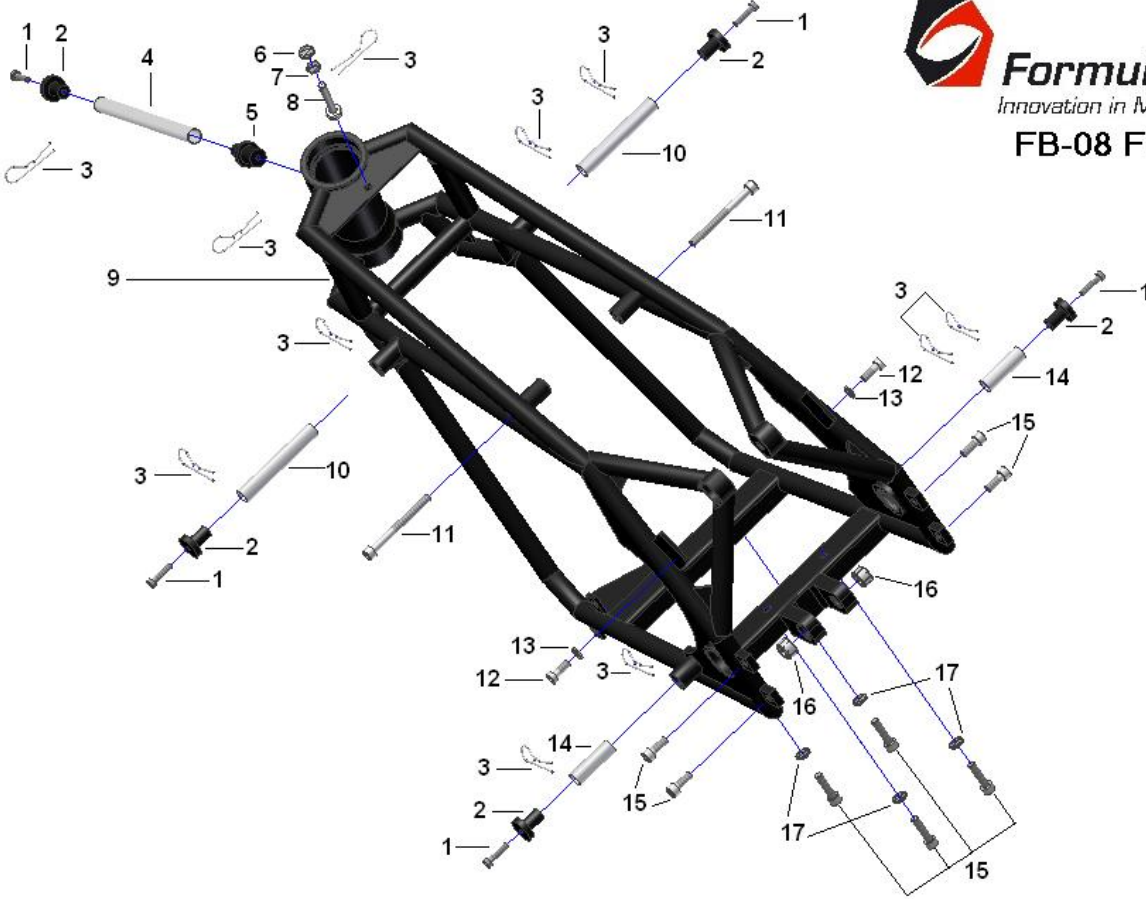


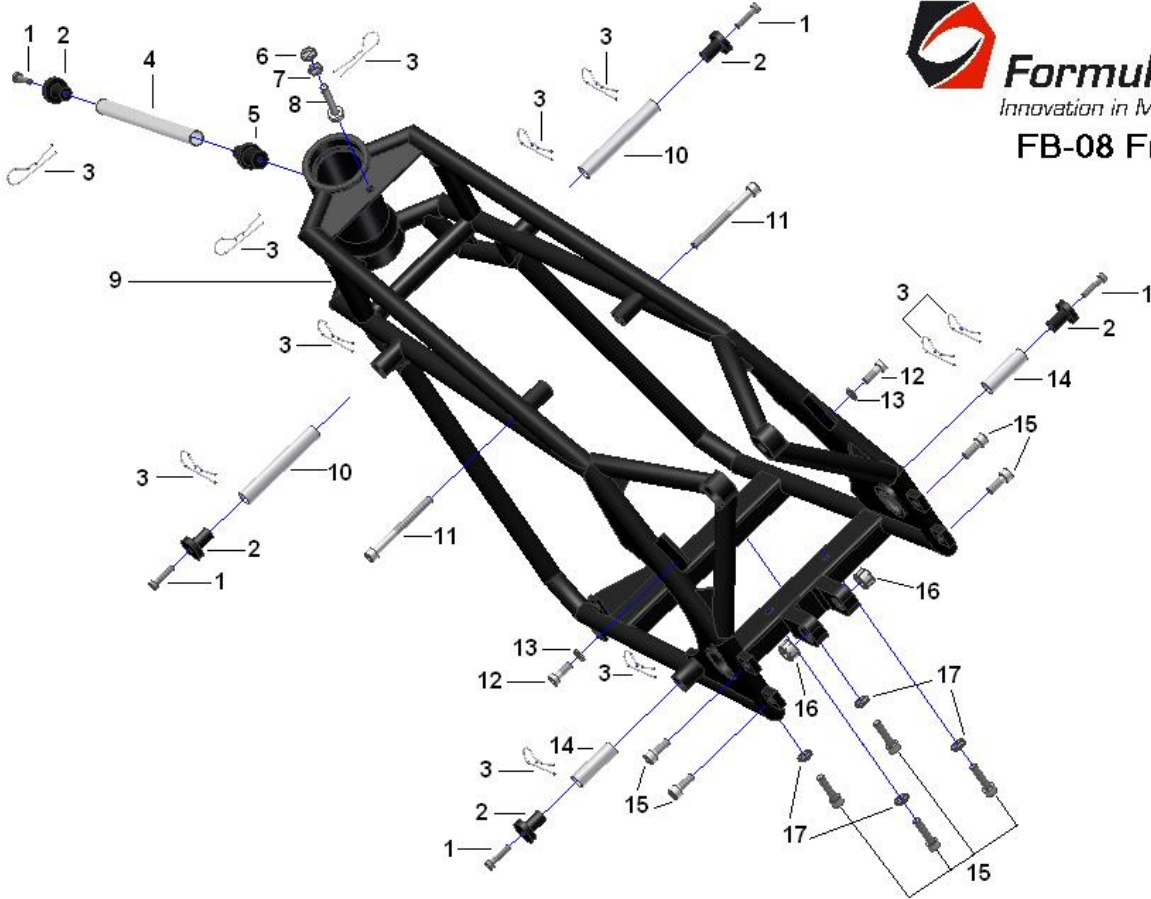




Nr	Description	No of items required	Code	Photo
1	Extra large cap screw M6x12mm	5	FB 142 1 0801 1	
2	Nut, cowl stay	5	FB 142 1 0802 1	
3	Pin	11	FB 142 1 0803 1	
4	Aluminium stay for front fairing	1	FB 142 1 0804 1	
5	Nut, front cowl stay	1	FB 142 1 0805 1	



Nr	Description	No of items required	Code	Photo
6	Plain stamped washer M6 BN735	1	FB 142 1 0213 1	
7	Hexagon flange nut with serration M6 DIN 6929 BN6783	1	FB 142 1 0807 1	
8	Hexagon socket head cap screw M6x20mm DIN912 BN3	1	FB 142 1 0808 1	
9	Tubular frame	1	FB 142 1 0809 1	
10	Aluminium stay for front fairing up	2	FB 142 1 0810 1	
11	Hexagon socket head cap screw partial thread M8x60mm DIN912 BN-Modified	2	FB 142 1 0811 1	
12	Hexagon flange nut with serration M8 DIN6926 BN6783	2	FB 142 1 0812 1	
13	Hexagon cap screw with embase M8x30mm BN5950	2	FB 142 1 0813 1	



Nr	Description	No of items required	Code	Photo
14	Aluminium stay for front fairing down	2	FB 142 1 0814 1	
15	Hexagon cap screw with embase M8x20mm DIN912 BN3	8	FB 142 1 0815 1	
16	Bearing DIN 618 HK 1412 (20x14,5x12mm)	2	FB 142 1 0313 1	
17	Spring lock washer M8 DIN127A BN760	4	FB 142 1 0817 1	