




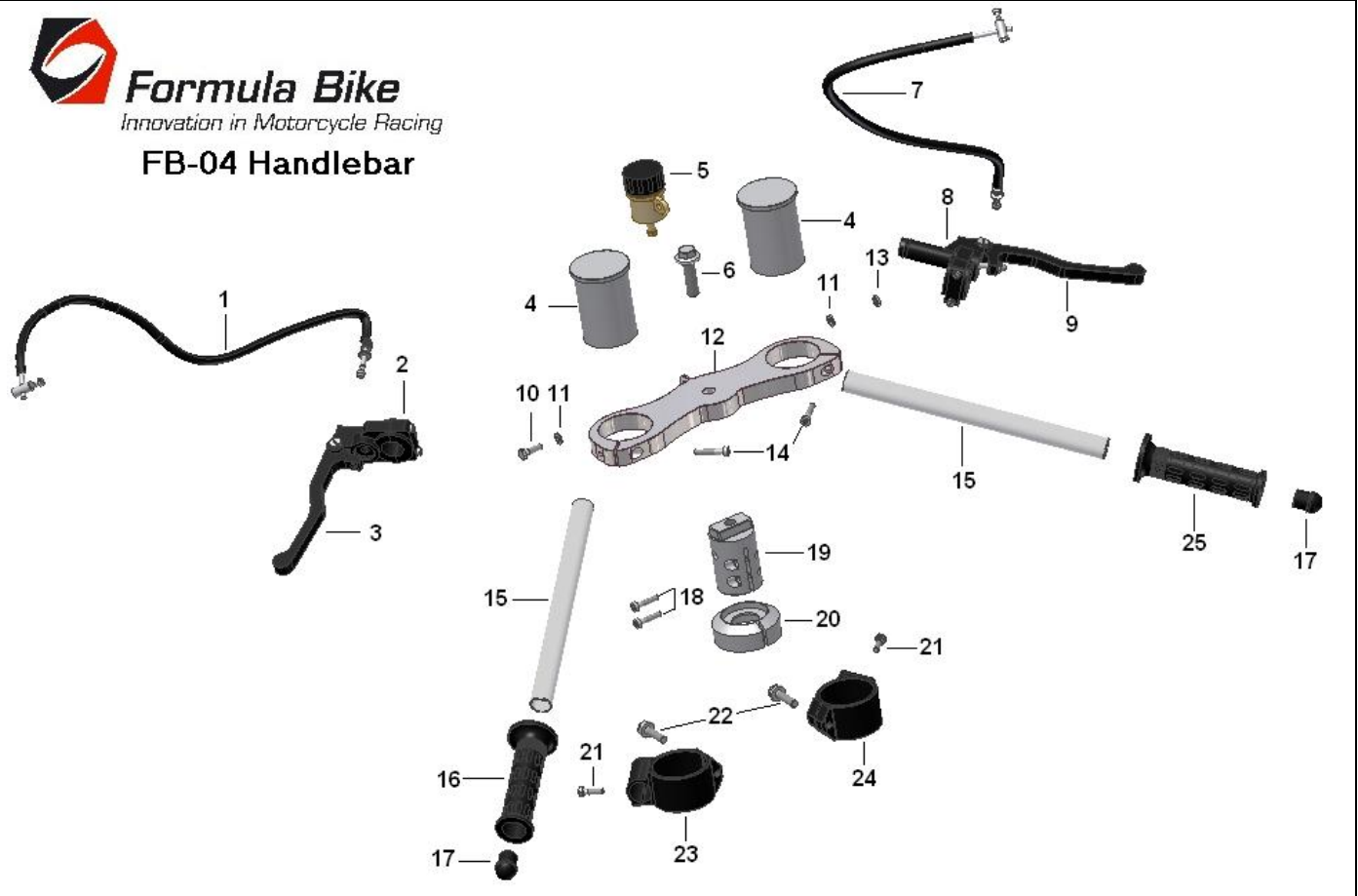




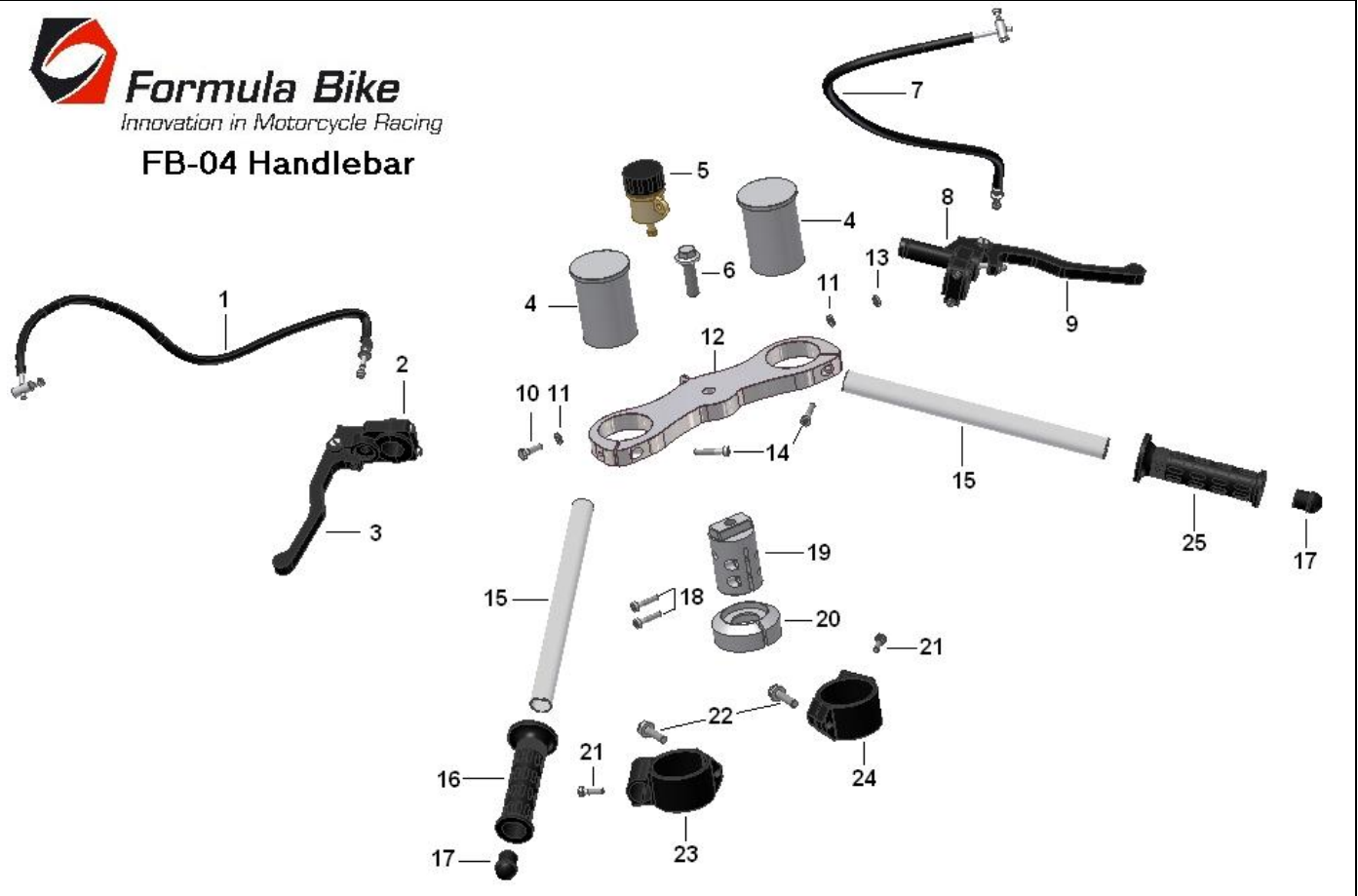


Nr	Description	No of items required	Code	Photo
1	Cable complet, clutch	1	FB 142 1 0401 1	
2	Lever assembly, left handle	1	FB 142 1 0402 1	
3	Lever, left steering handle	1	FB 142 1 0403 1	
4	Support for holder	2	FB 142 1 0404 1	
5	Oil cup	1	FB 142 1 0405 1	

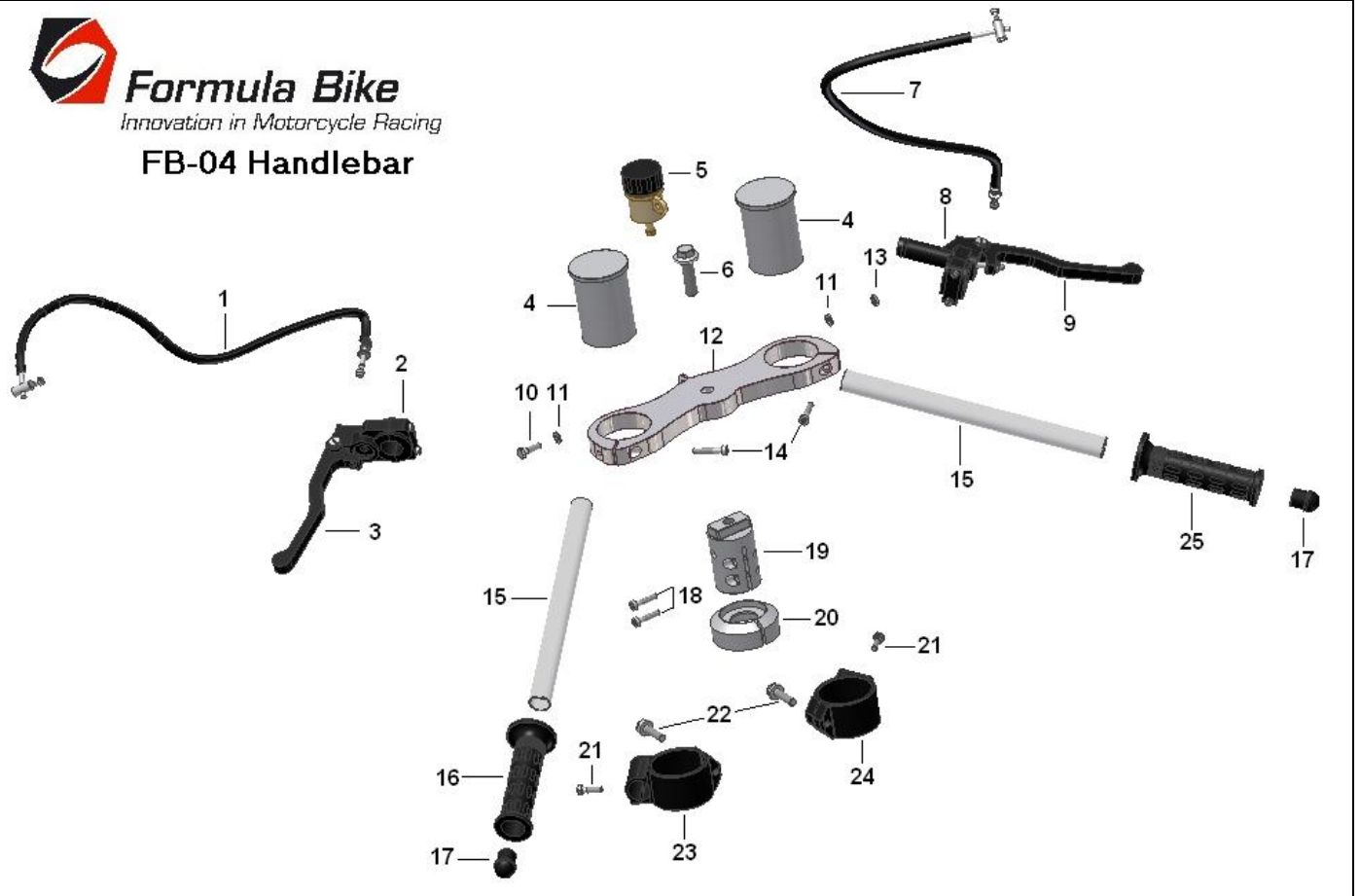
FB-04 Handlebar



Nr	Description	No of items required	Code	Photo
6	Hexagon socket head cap screw inbus ripp M12x35mm BN9727	1	FB 142 1 0406 1	
7	Cable complet, throttle	1	FB 142 1 0407 1	
8	Front master cylinder	1	FB 142 1 0408 1	
9	Lever, handle right	1	FB 142 1 0409 1	
10	Hexagon socket head cap screw with low head M6x16mm DIN7984 BN17	1	FB 142 1 0410 1	
11	Plain stamped washer M6 BN735	2	FB 142 1 0411 1	
12	Bridge, fork top	1	FB 142 1 0412 1	



Nr	Description	No of items required	Code	Photo
13	Hexagon flange nut with serration M6 DIN6926 BN6783	1	FB 142 1 0413 1	
14	Hexagon socket head cap screw M6x30mm DIN912 BN3	2	FB 142 1 0414 1	
15	Pipe, handle	2	FB 142 1 0415 1	
16	Grip, left handle	1	FB 142 1 0416 1	
17	Cap, handle pipe	2	FB 142 1 0417 1	
18	Hexagon socket head cap screw M6x25mm DIN912 BN3	2	FB 142 1 0418 1	
19	Handlebar stem	1	FB 142 1 0419 1	



Nr	Description	No of items required	Code	Photo
20	Bearing cover for stem	1	FB 142 1 0420 1	
21	Hexagon socket button head screw M6x25mm BN11252	2	FB 142 1 0421 1	
22	Hexagon socket head cap screw with low head M8x30 DIN7984 BN16	2	FB 142 1 0422 1	
23	Holder, left handle	1	FB 142 1 0423 1	
24	Holder, right handle	1	FB 142 1 0424 1	
25	Grip, right handle	1	FB 142 1 0425 1	