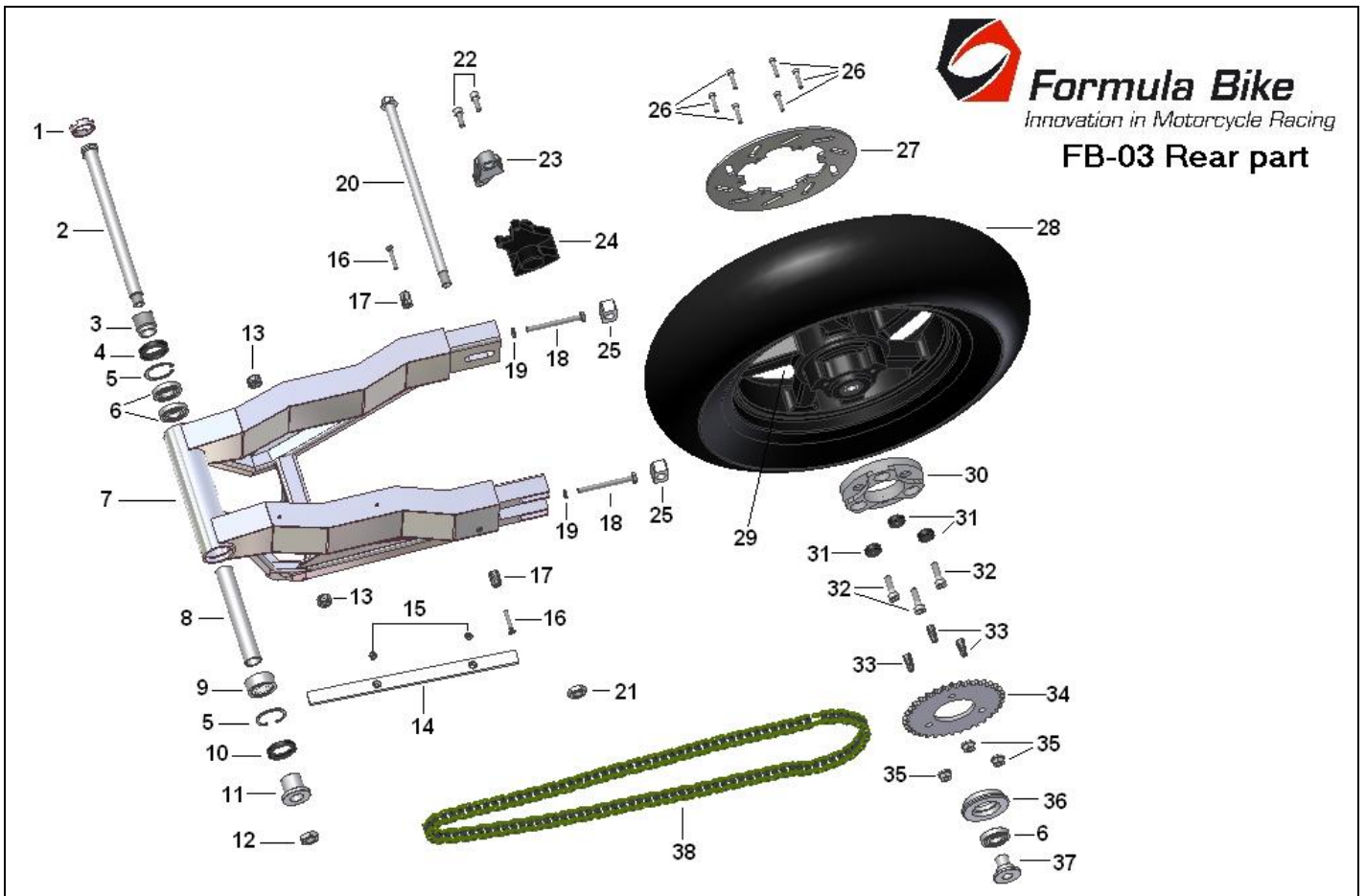







Formula Bike
Innovation in Motorcycle Racing

FB-03 Rear part

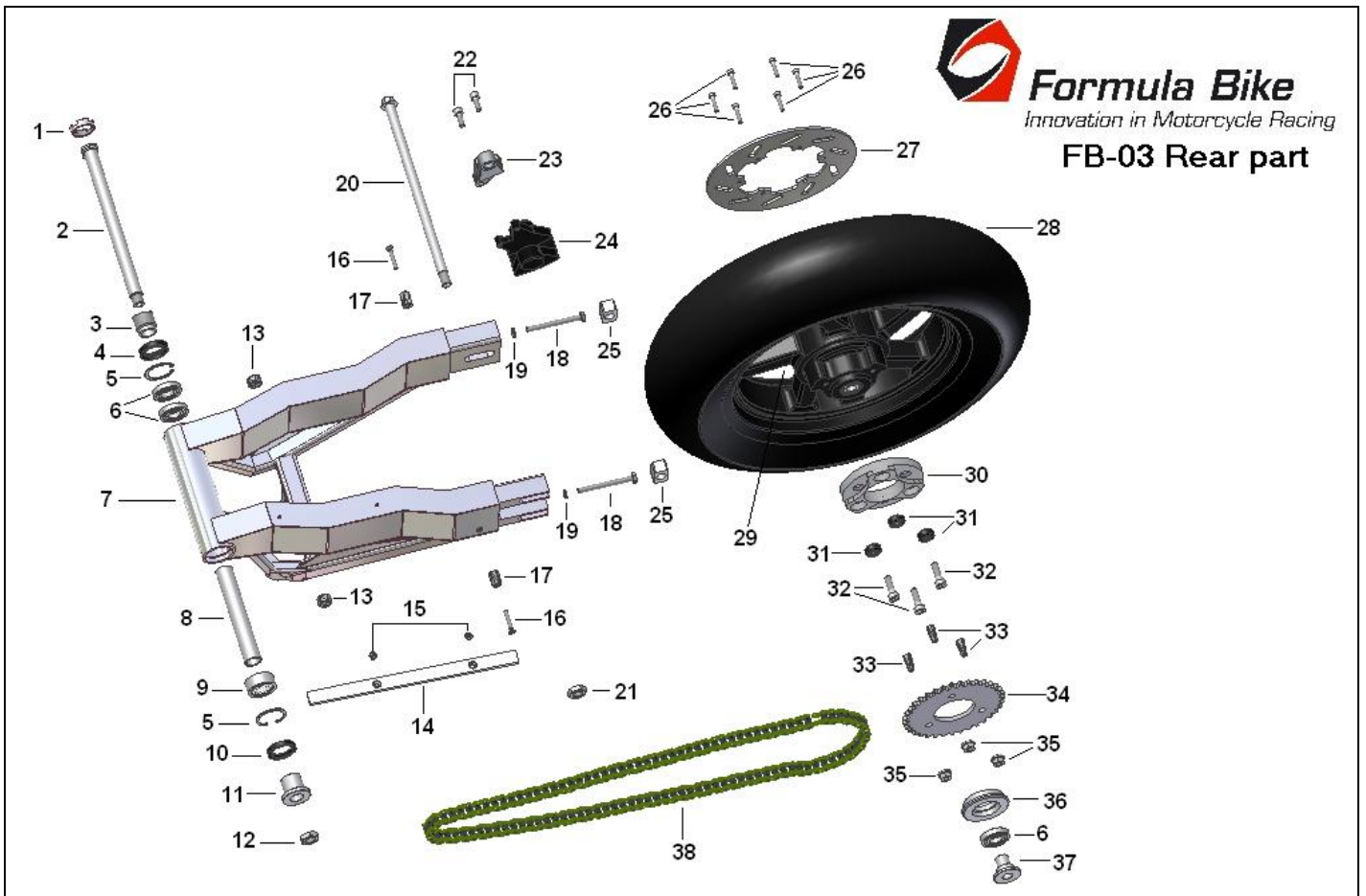







Nr	Description	No of items required	Code	Photo
1	Nut lock	1	FB 142 1 0301 1	
2	Bolt, swing arm pivot	1	FB 142 1 0302 1	
3	Bolt, adjust pivot	1	FB 142 1 0303 1	
4	Dust seal 26x42x8mm	1	FB 142 1 0304 1	
5	Circlip, internal	2	FB 142 1 0305 1	

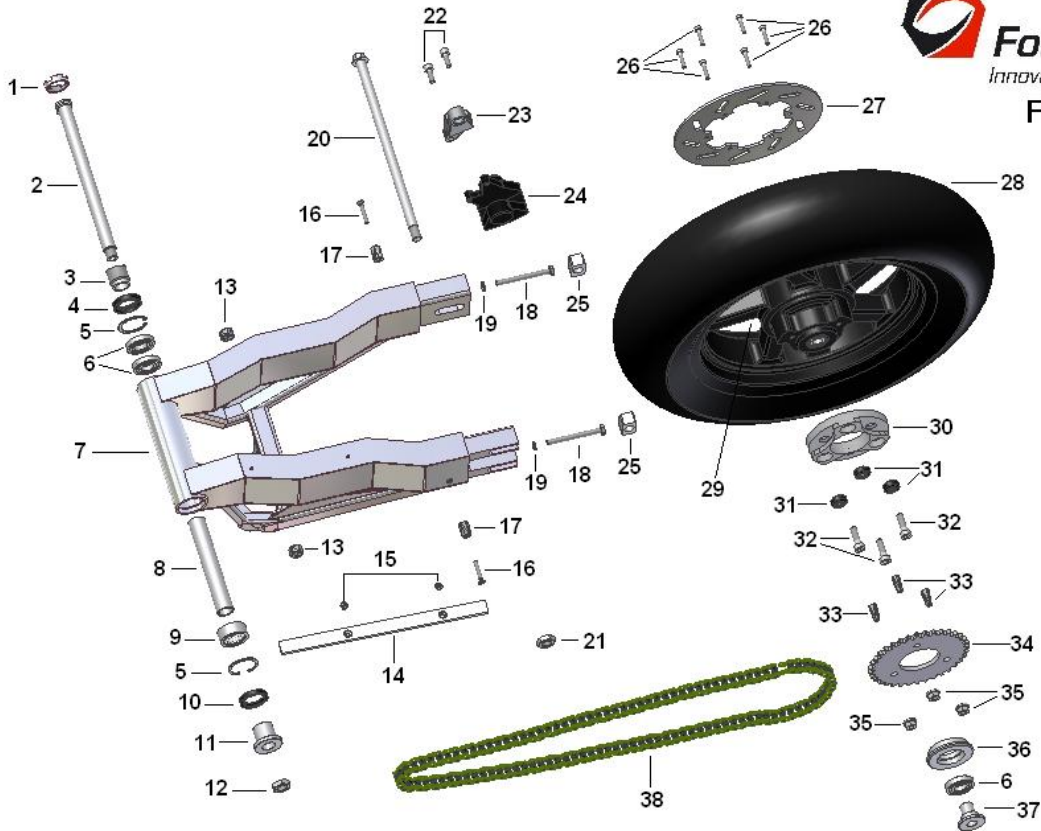


Formula Bike
Innovation in Motorcycle Racing

FB-03 Rear part



Nr	Description	No of items required	Code	Photo
6	Bearing, needle FAG 16004 (42x20x8mm)	3	FB 142 1 0306 1	
7	Swing arm	1	FB 142 1 0307 1	
8	Collar, distance swing arm	1	FB 142 1 0308 1	
9	Bearing, needle 42x30x17mm – swing arm	1	FB 142 1 0309 1	
10	Dust seal 30x42x7mm	1	FB 142 1 0310 1	

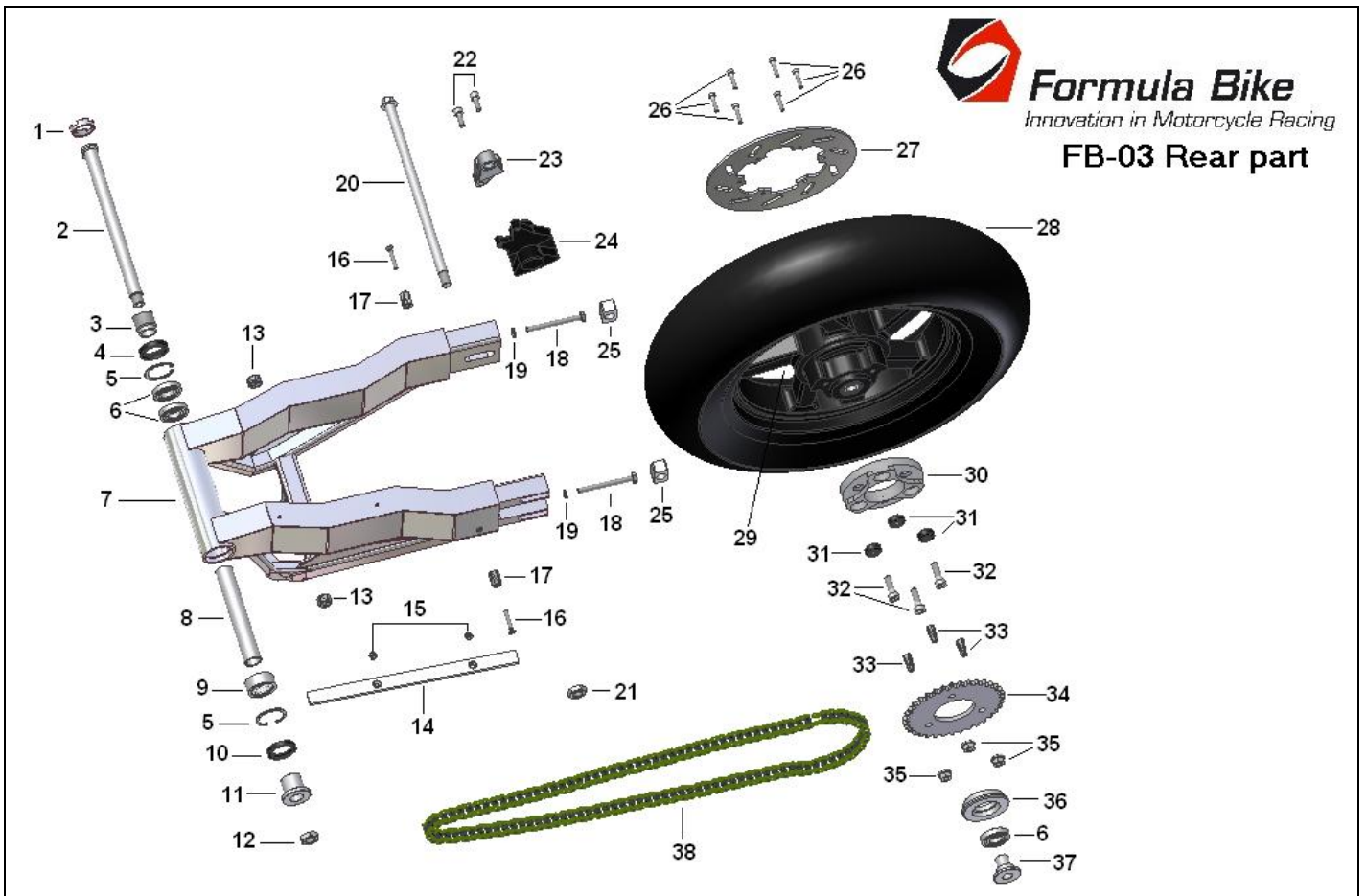


Nr	Description	No of items required	Code	Photo
11	Collar B, pivot	1	FB 142 1 0311 1	
12	U-nut M16 BN175	1	FB 142 1 0312 1	
13	Bearing DIN 618 HK1412	2	FB 142 1 0313 1	
14	Slider, chain	1	FB 142 1 0314 1	
15	Hexagon socket countersunk head screw M5x20mm DIN7991 BN1422	2	FB 142 1 0315 1	
16	Hexagon socket countersunk head screw M6x35mm DIN7991 BN1422	2	FB 142 1 0316 1	
17	Taquet	2	FB 142 1 0317 1	
18	Hexagon cap screw M8x35mm DIN933 BN56	2	FB 142 1 0318 1	
19	Hexagon nut M8 DIN934 BN117	2	FB 142 1 0319 1	



Formula Bike
Innovation in Motorcycle Racing

FB-03 Rear part

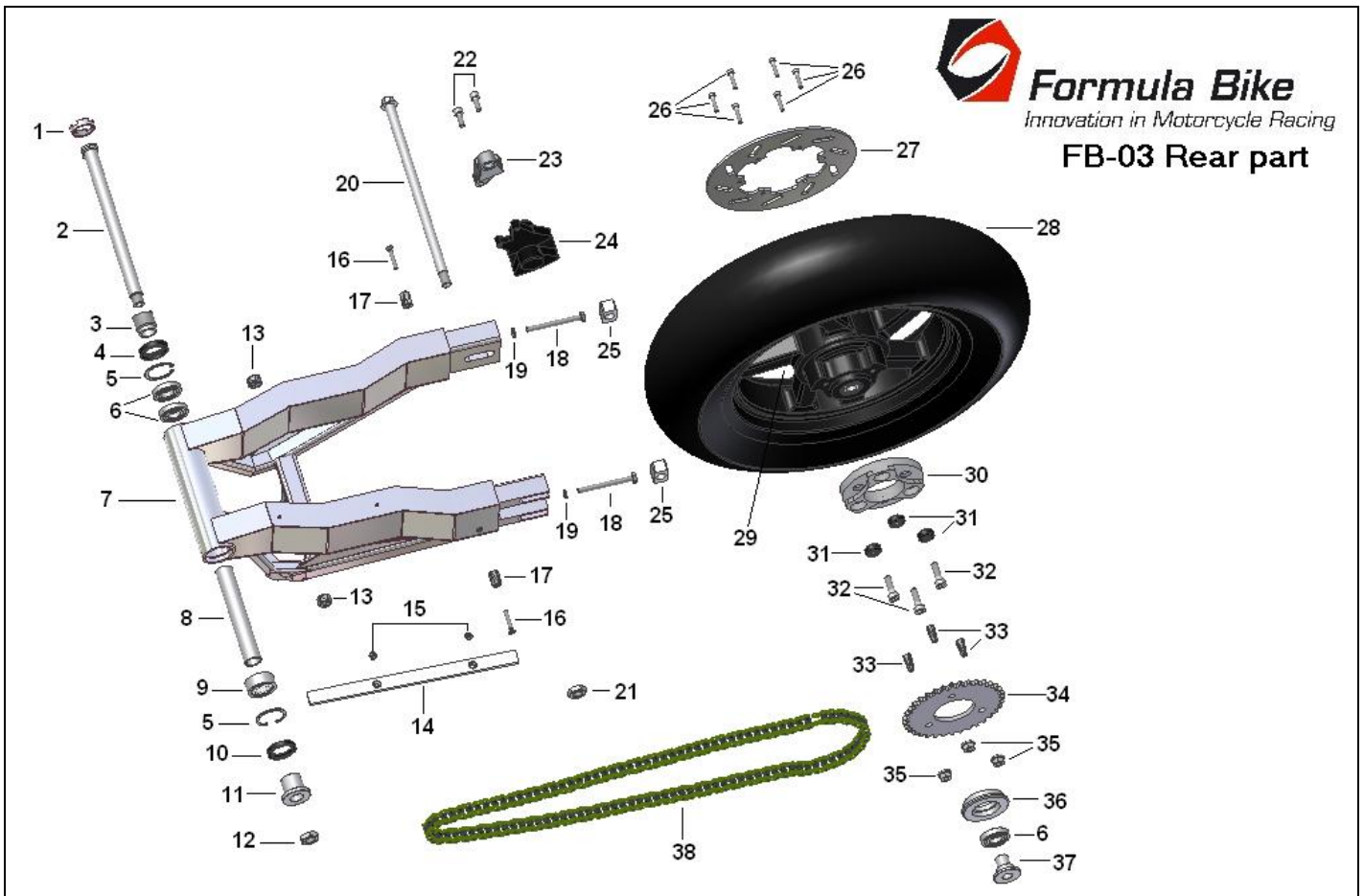


Nr	Description	No of items required	Code	Photo
20	Axle, rear wheel	1	FB 142 1 0320 1	
21	Hexagon flange nut with serration M14x1,5mm BN163 DIN985	1	FB 142 1 0321 1	
22	Hexagon socket head cap screw M8x20mm DIN912 BN3	2	FB 142 1 0322 1	
23	Support for rear brake caliper	1	FB 142 1 0323 1	
24	Rear brake caliper GRIMECA	1	FB 142 1 0324 1	
25	Adjuster	2	FB 142 1 0325 1	
26	Hexagon socket head cap screw with extremely low cap M6x16mm BN1206	6	FB 142 1 0326 1	



Formula Bike
Innovation in Motorcycle Racing

FB-03 Rear part

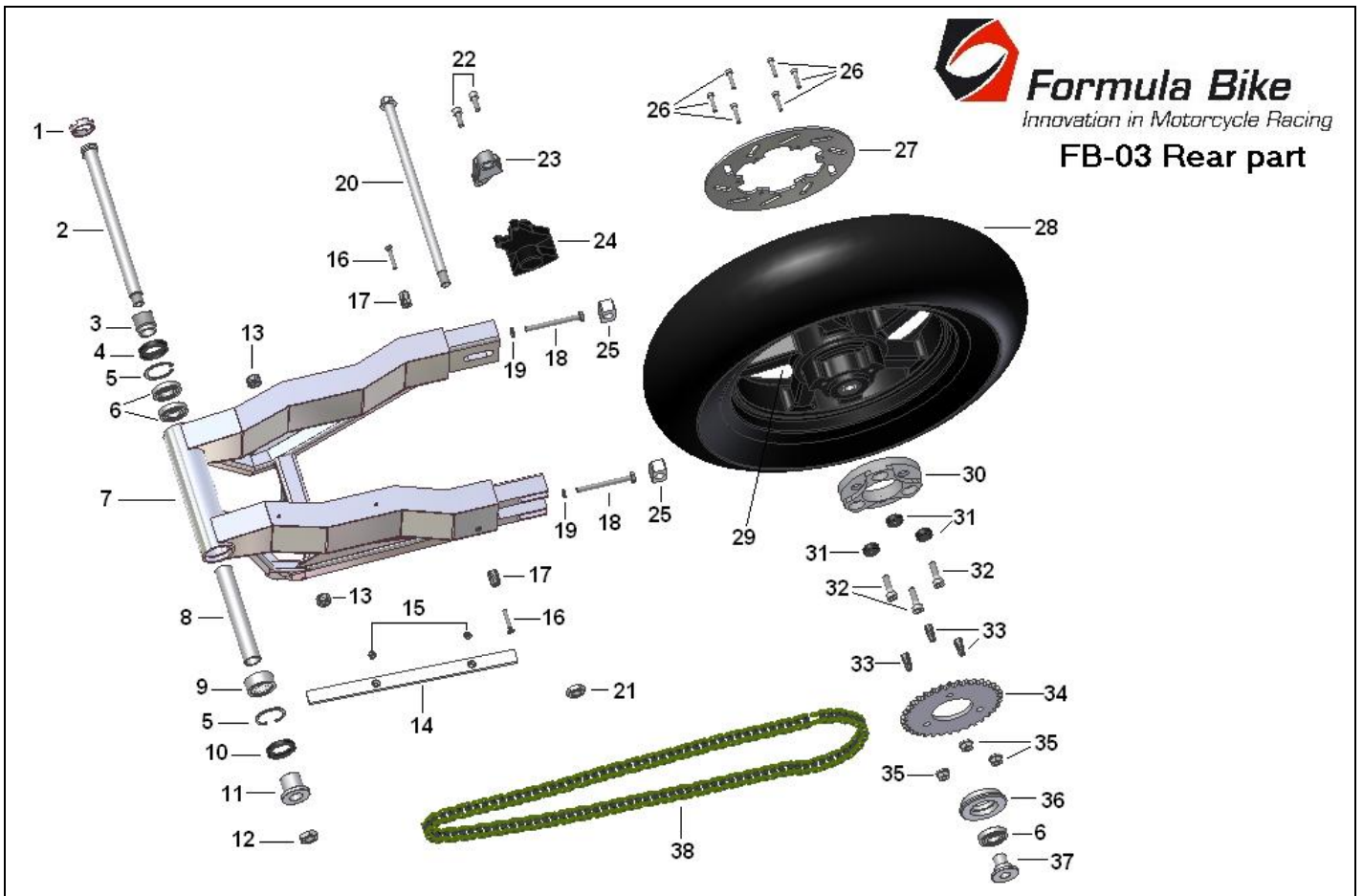


Nr	Description	No of items required	Code	Photo
27	Rear disk brake	1	FB 142 1 0327 1	
28	Tyre, rear MICHELIN SPORT 150/70-14	1	FB 142 1 0328 1	
29	Wheel set, rear 3.50x14 GRIMECA (without tyre MICHELIN SPORT)	1	FB 142 1 0329 1	
30	Washer, sprocket	1	FB 142 1 0330 1	
31	Rubber, rear wheel damper	3	FB 142 1 0331 1	



Formula Bike
Innovation in Motorcycle Racing

FB-03 Rear part



Nr	Description	No of items required	Code	Photo
32	Hexagon socket countersunk head screw M8x40mm DIN7991 BN1422	3	FB 142 1 0332 1	
33	Hexagon socket head cap screw M10x20mm DIN912 BN3	3	FB 142 1 0333 1	
34	Sprocket Z =34	1	FB 142 1 0334 1	
	Sprocket Z =36		FB 142 1 0334 2	
	Sprocket Z =38		FB 142 1 0334 3	
	Sprocket Z =40		FB 142 1 0334 4	
35	Hexagon flange nut with serration M10 DIN6926 BN6783	3	FB 142 1 0335 1	
36	Collar, sprocket	1	FB 142 1 0336 1	
37	Collar, rear wheel side	1	FB 142 1 0337 1	
38	Chain	1	FB 142 1 0338 1	